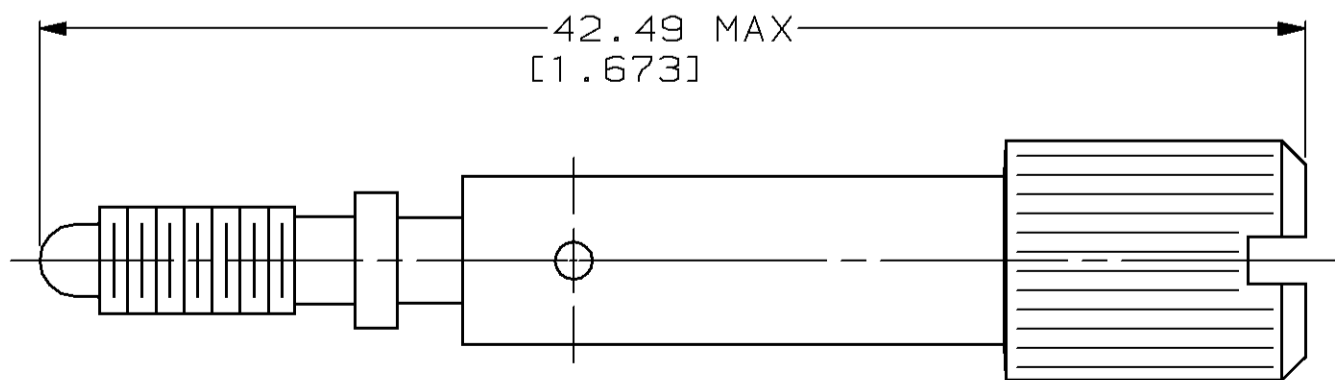
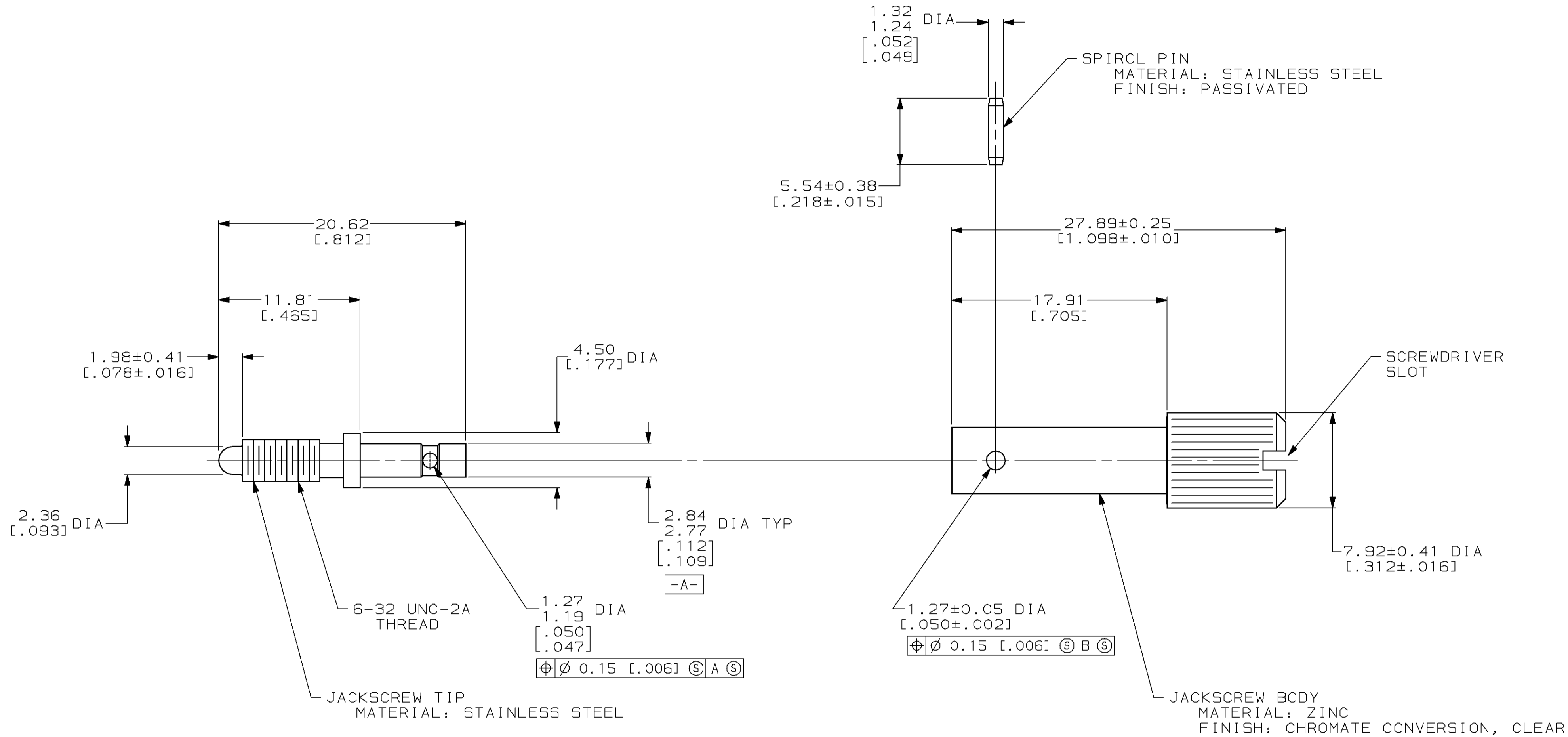


THIS DRAWING IS UNPUBLISHED. RELEASED FOR PUBLICATION
 BY AMP INCORPORATED. ALL RIGHTS RESERVED.

LOC		DIST		REVISIONS			
P	LTR	DESCRIPTION	DATE	DWN	APVD		
BD	36	H	REDRAWN PER EC 0020-1346-95	11 DEC 95	-	-	



ASSEMBLED VIEW

201087-1
PART NUMBER

THIS DRAWING IS A CONTROLLED DOCUMENT FOR AMP INCORPORATED. IT IS SUBJECT TO CHANGE AND THE CONTROLLING ENGINEERING ORGANIZATION SHOULD BE CONTACTED FOR THE LATEST REVISION.		DWN C. DORWART 11 DEC 95	AMP Incorporated Harrisburg, PA 17105-3608
		CHK R. STONE 29 FEB 96	
DIMENSIONS: mm [INCHES]		APVD G. STEINHAUER 07 MAR 96	NAME MALE JACKSCREW KIT, UNASSEMBLED, SHORT, M SERIES
TOLERANCES UNLESS OTHERWISE SPECIFIED:		PRODUCT SPEC	SIZE A2
0 PLC ±-		APPLICATION SPEC	CAGE CODE 00779
1 PLC ±-			DRAWING NO C-201087
2 PLC ±0.13 [.005]			SCALE 4:1
3 PLC ±-			SHEET 1 OF 1
4 PLC ±-			REV H
ANGLES ±-			
FINISH -			
MATERIAL -		CUSTOMER DRAWING	